

# LAMINATED TRANSFORMER

## Open-Frame Transformer With Connector Or Pin



### Features

- Multiple-output is available
- Temperature rise 75°C Max
- Wide range of voltage and power available



### Electrical Specifications

Part Number	Input Voltage (Vac)	Exciting Current (mA Max)	Load Output Voltage (Vac)	Load Current (A)	Power (W)
LEI28-0001-A	230/50Hz	40	11.3	0.10	1.1
LEI35-0001-A	230/50Hz	20	2X11.0	0.10	2.2
LEI48-0001-A	230/50Hz	50	2X11.3	0.65	14.7
LEI57-0001-A	230/50Hz	90	2X11.8	1.00	23.6
LEI57-0002-A	230/50Hz	60	2X11.0	1.10	24.2
LEI76-0001-A	230/50Hz	110	22.0+10.0	3.7+2.0	101.4

### Dimension (mm)

Part Number	Fig.	A (Max)	B (Max)	C (Max)	D (Nom)	E (Nom)	F (Nom)	G (Nom)
LEI28-0001-A	1	30	32	27	1.0	10.0	7.5	19
LEI35-0001-A	2	37	33	31	0.8	6.1	30	-
LEI48-0001-A	3	50	51	42	130	130	10	10
LEI57-0001-A	3	59	59	51	130	130	10	10
LEI57-0002-A	3	59	59	51	130	130	10	10
LEI76-0001-A	4	88	78	66	140	160	50.8	64

# LAMINATED TRANSFORMER

## Open-Frame Transformer With Connector Or Pin

### Mechanical

Fig. 1

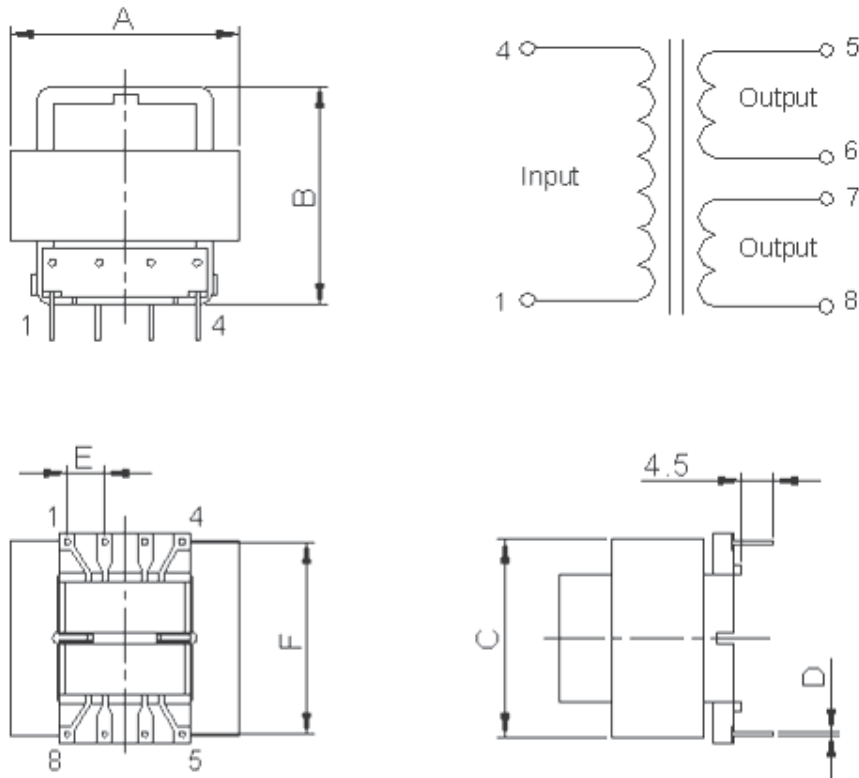
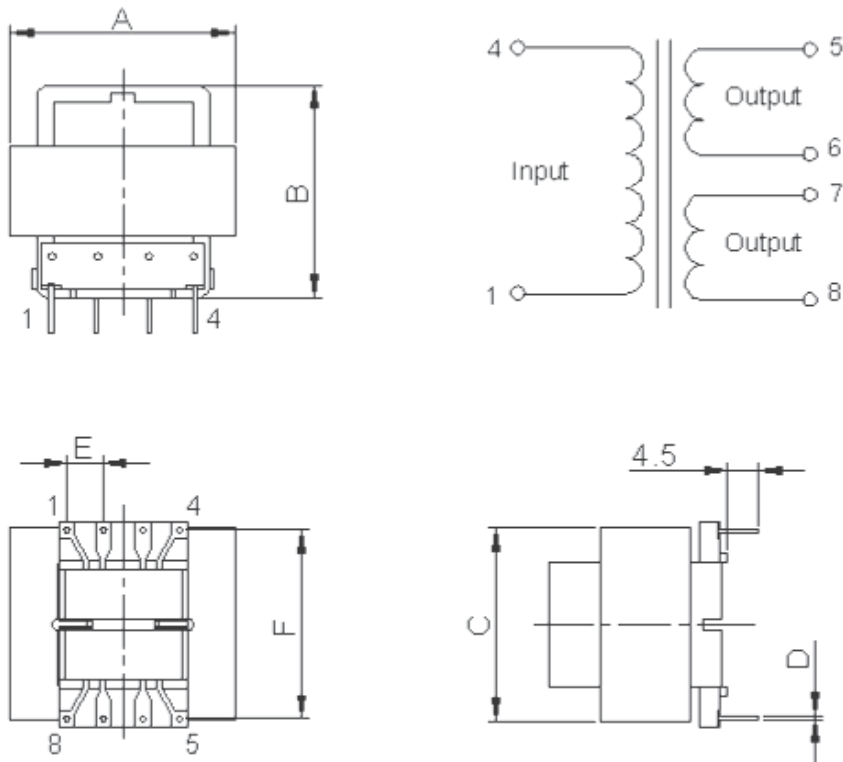


Fig. 2



# LAMINATED TRANSFORMER

## Open-Frame Transformer With Connector Or Pin

Fig. 3

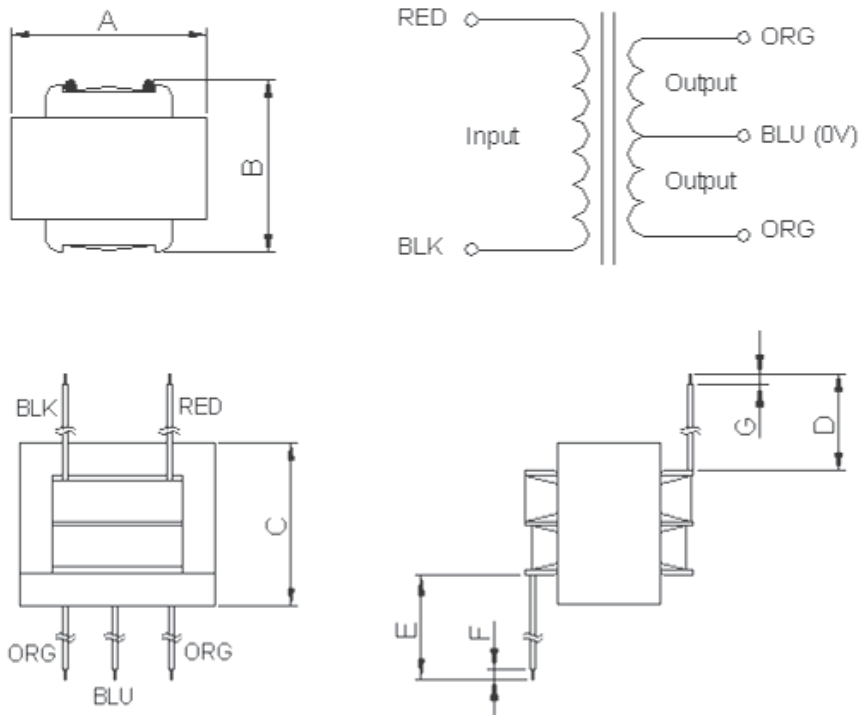


Fig. 4

