

Features

- High voltage output
- Custom designs available



Features

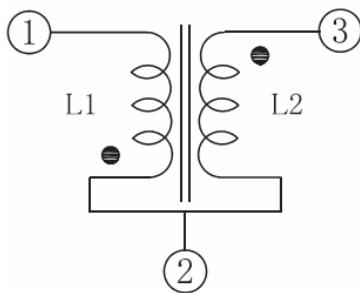
- Xe flash tube trigger for DVC,DSC, Mobile Phone

Electrical Specifications @25°C

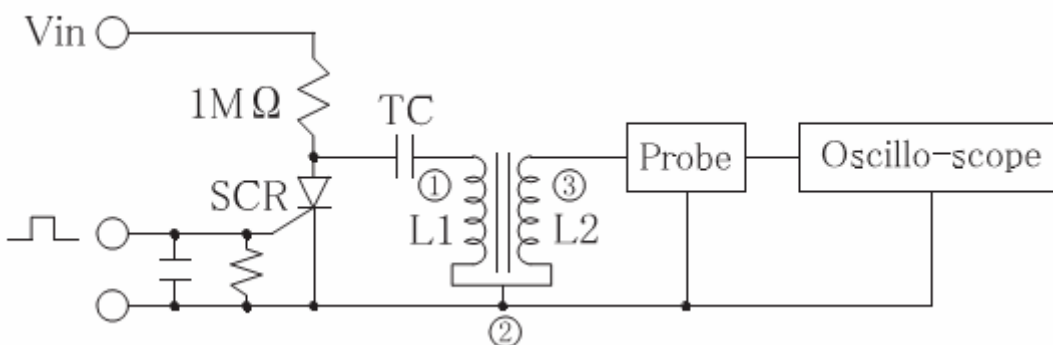
Ordering Code	Fig.	Turns Ratio	Secondary Inductance (mH Typ.)	D.C.R. (Ω Max.)		Primary Capacitance (μ F)	Input Voltage	Output Voltage (Min.)
				Primary	Secondary			
2333AL60	1	1:36	20.0	0.600	200.0	0.033	300Vrms	8kVrms
2333AL70	2	1:36	20.0	0.600	200.0	0.047	300Vrms	8kVrms
2333AL80	3	1:120	20.0	0.600	200.0	0.220	100Vrms	6kVrms

1. Operating Temperature: $-40^{\circ}\text{C} \sim +85^{\circ}\text{C}$. Storage Temperature: $-40^{\circ}\text{C} \sim +85^{\circ}\text{C}$

Schematic



Test Circuit



Mechanical (mm)

Fig. 1

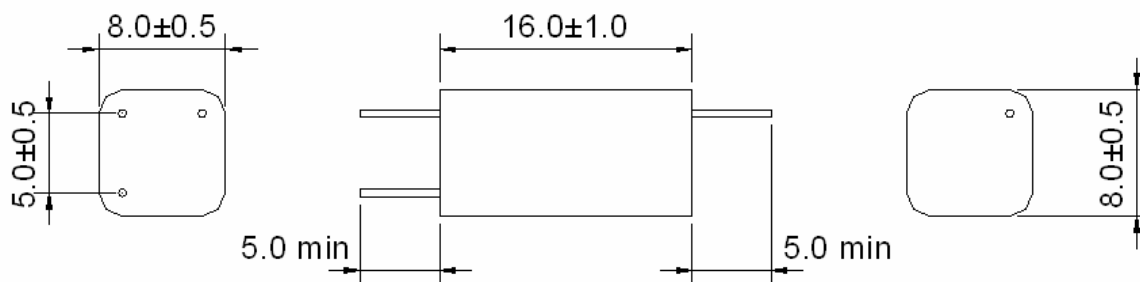


Fig. 2

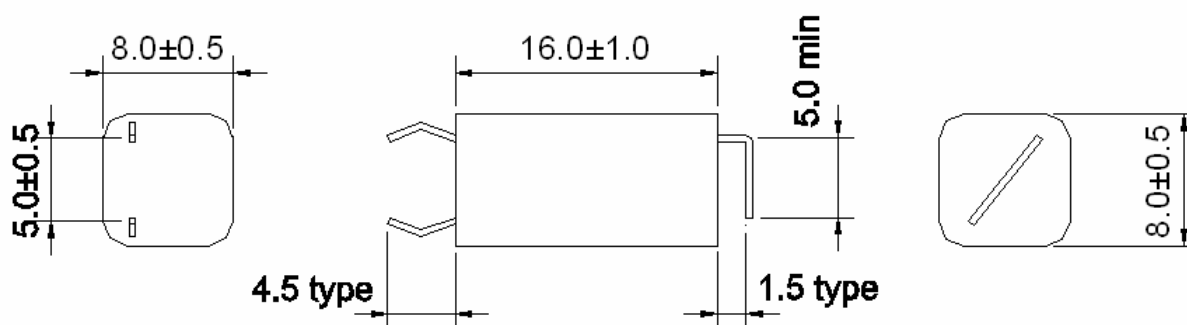


Fig. 3

