

THT POWER TRANSFORMERS

EE Platforms – Horizontal



Features

- High power density and high efficiency
- Multiple-output is available
- Operating frequency up to 500kHz
- Custom designs available



Application

- Transformer for DVC, DSC,OA, Adaptor,TV,Automotive,DVD,Blue-ray Recorder

Specifications

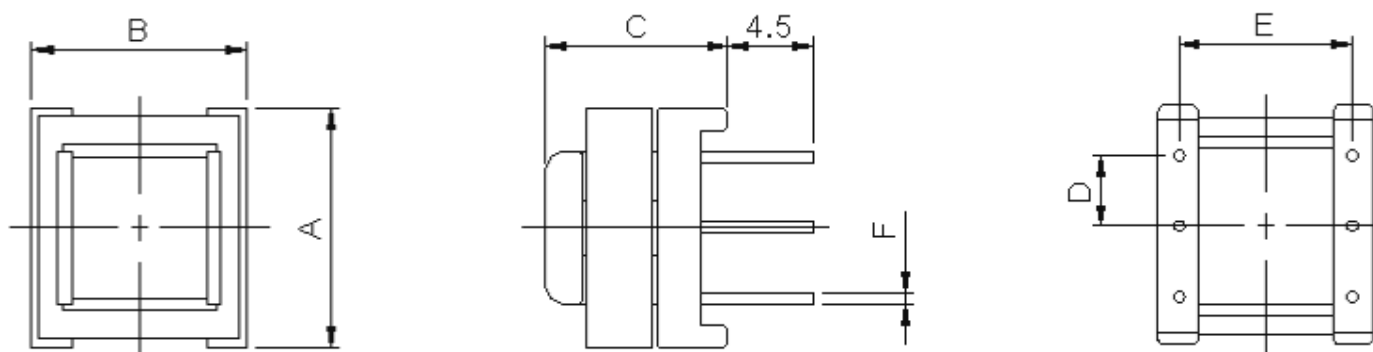
Size	Fig.	A (Max.)	B (Max.)	C (Max.)	D (Nom.)	E (Nom.)	F (Nom.)	Pins (Optional)	fsw (kHz)	Output Power (W) ²
EEH8.3	1	10	10	7.5	2.5	6.0	Φ0.5	3x3	100	3
EEH10	2	12	14	12	2.5	10.5	Φ0.5	4x4	100	5
EEH13	3	16	16	15	2.54	10.2	Φ0.5	5x5	100	8
EEH16	2	18	16	17	3.0	11.0	Φ0.6	4x4	100	10
EEH19	4	23	19	18	5.0	13.2	Φ0.7	4x4	100	15
EEH25	5	28	28	24	5.0	15.1	Φ0.8	5x5	100	30
EEH30	6	34	38	23	5.0	25.0	Φ0.8	6x6	100	50
EEH40	7	43	36	31	5.0	25.8	Φ0.8	7x7	100	150
EEH55	8	57	61	53	5.0	45.0	Φ1.0	10x10	100	700

1. Operating Temperature: -40°C~+125°C(Includes temperature when the coil is heated).

2. Output power is only for reference at flyback topology and switching frequency 100kHz.

Mechanical

Fig. 1



THT POWER TRANSFORMERS

EE Platforms – Horizontal



Fig. 2

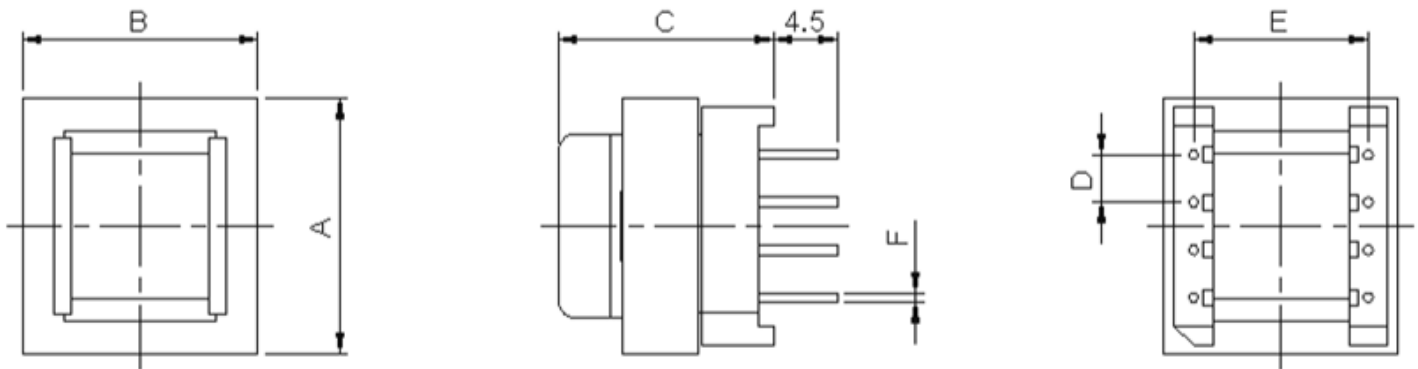


Fig. 3

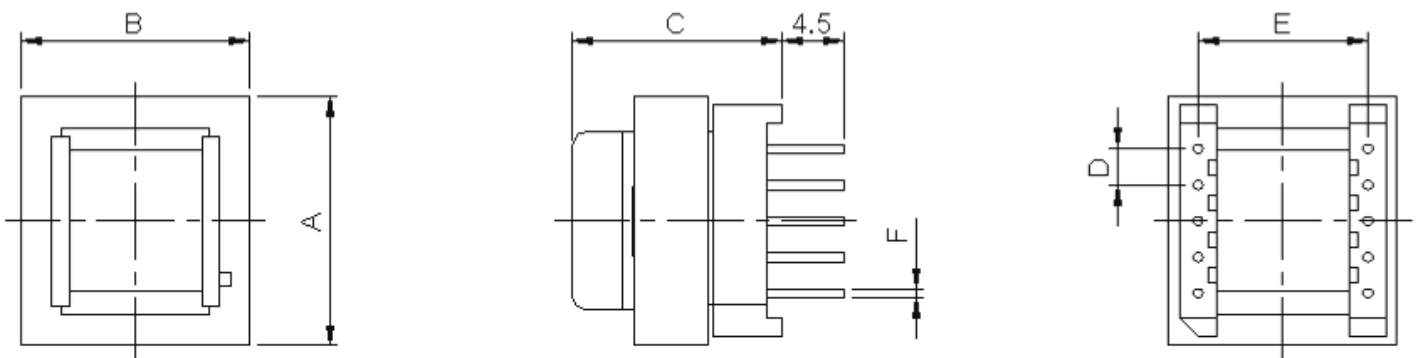
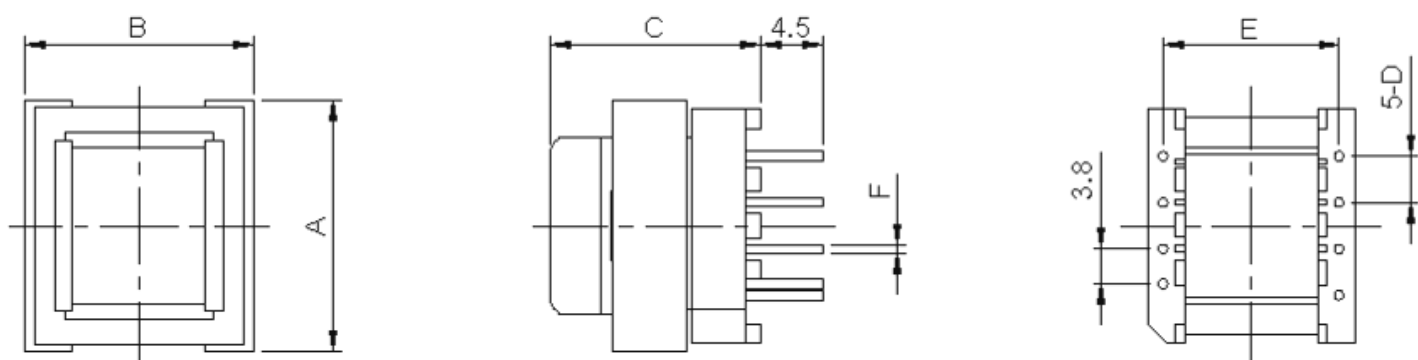


Fig. 4



THT POWER TRANSFORMERS

EE Platforms – Horizontal



Fig. 5

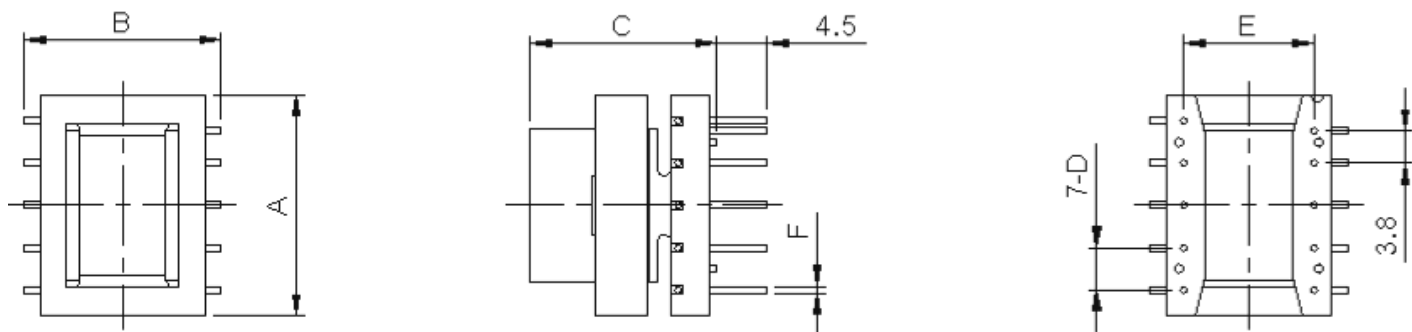


Fig. 6

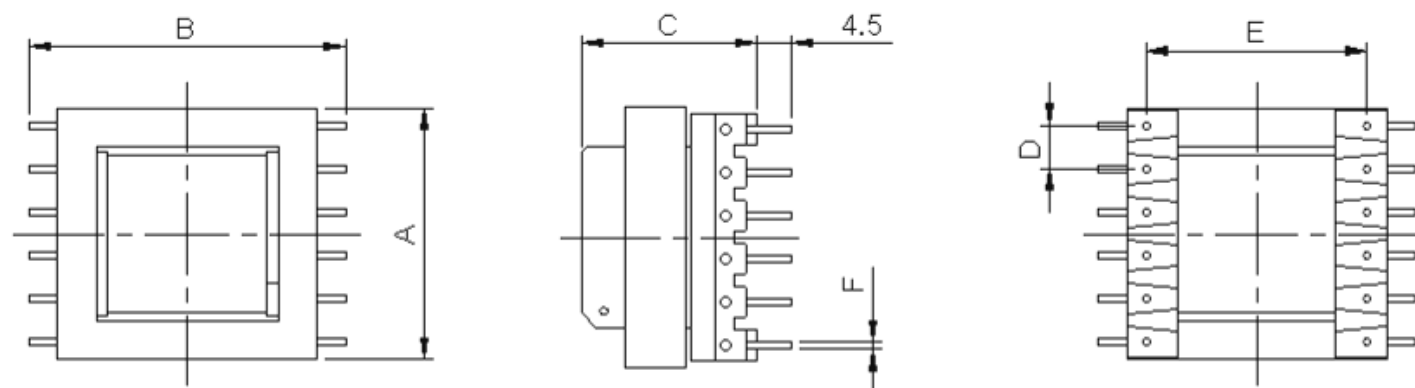
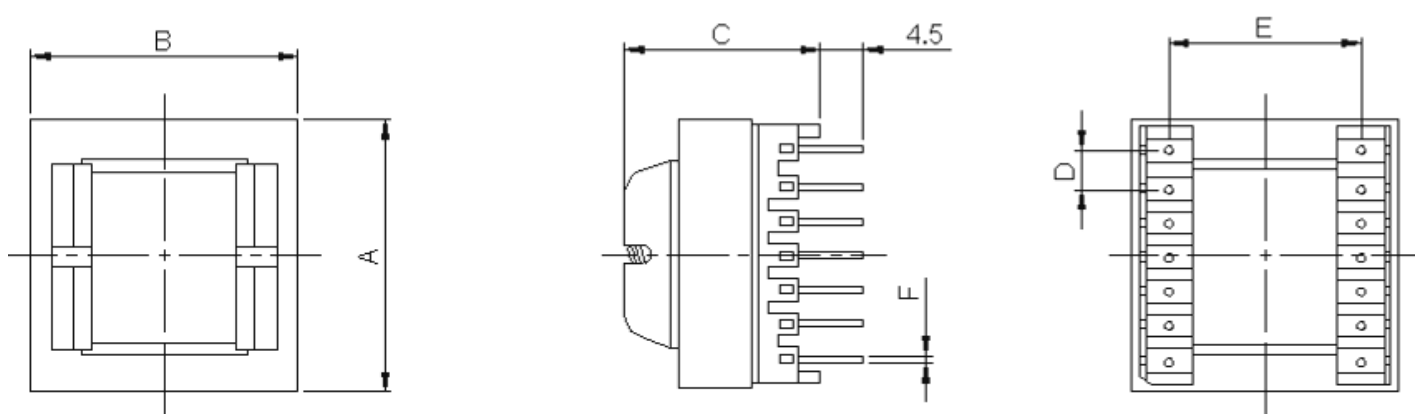


Fig. 7



THT POWER TRANSFORMERS

EE Platforms – Horizontal



Fig. 8

