

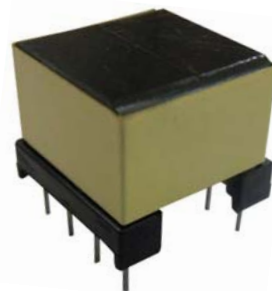
THT POWER TRANSFORMERS

EP Platforms – Horizontal



Features

- High power density and high efficiency
- Multiple-output is available
- Operating frequency up to 500kHz
- Custom designs available



Application

- Transformer for PoE, DVC, DSC, OA, Adaptor, TV, Automotive, DVD, Blue-ray Recorder

Specifications

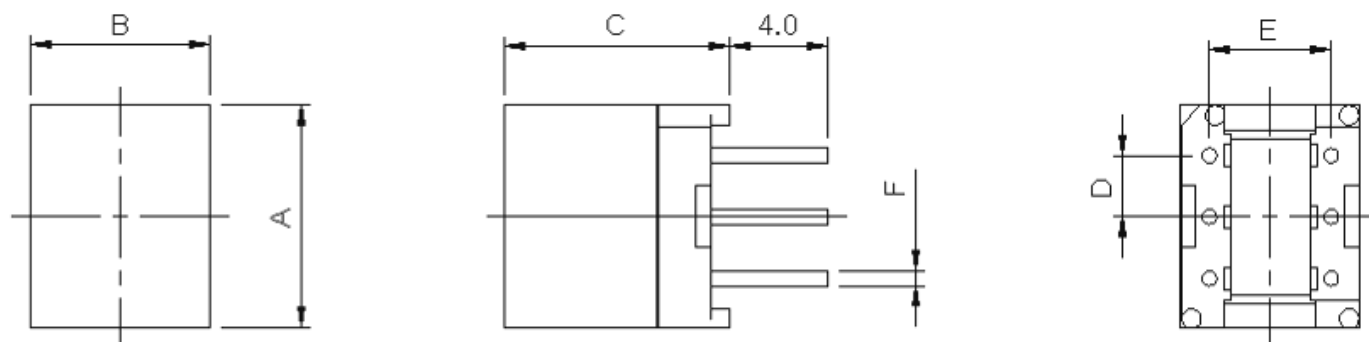
Size	Fig.	A (Max.)	B (Max.)	C (Max.)	D (Nom.)	E (Nom.)	F (Nom.)	Pins (Optional)	fsw (kHz)	Output Power (W) ²
EP7	1	12	11	11	2.54	5.08	Φ0.6	3x3	100	5
EP10	2	13	13	13	2.50	7.50	Φ0.6	4x4	100	10
EP13	3	16	16	14	2.50	10.0	Φ0.6	5x5	100	15
EP17	2	21	21	18	5.00	15.0	Φ0.6	4x4	100	25

1. Operating Temperature: -40°C ~ +125°C (Includes temperature when the coil is heated).

2. Output power is only for reference at flyback topology and switching frequency 100kHz.

Mechanical

Fig. 1



THT POWER TRANSFORMERS

EP Platforms – Horizontal



Fig. 2

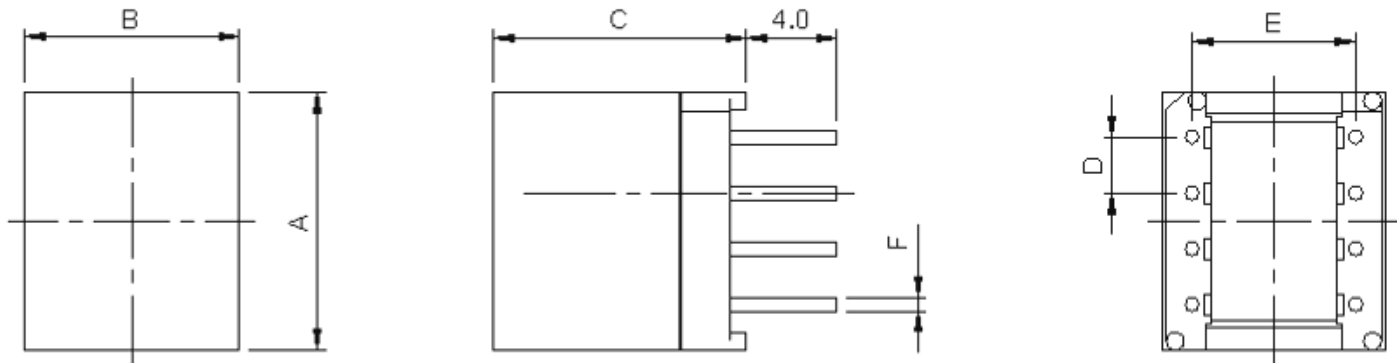


Fig. 3

