

THT POWER TRANSFORMERS

ER Platforms – Vertical



Features

- High power density and high efficiency
- Multiple-output is available
- Operating frequency up to 500kHz
- Custom designs available



Application

- Transformer for DVC, DSC,OA, Adaptor,TV,Automotive,DVD,Blue-ray Recorder

Specifications

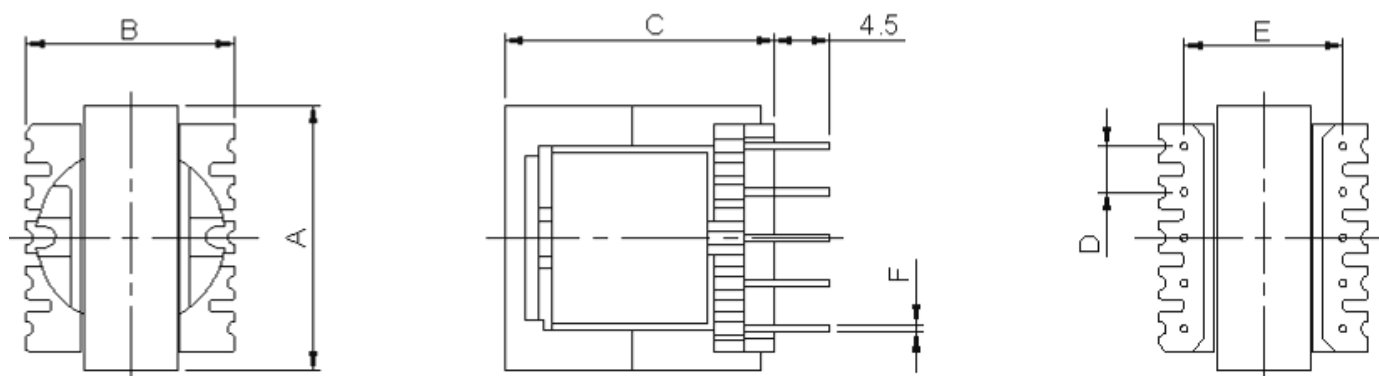
Size	Fig.	A (Max.)	B (Max.)	C (Max.)	D (Nom.)	E (Nom.)	F (Nom.)	Pins (Optional)	fsw (kHz)	Output Power (W) ²
ER28	1	30	25	32	5.0	17.5	Φ0.8	5x5	100	40
ER28L	3	32	29	38	5.0	20.0	Φ0.8	6x6	100	60
ER33	2	38	30	39	5.0	22.5	Φ1.0	7x7	100	80
ER35L	3	33	31	45	5.0	22.5	Φ1.0	6x6	100	100
	2	37	31	45	5.0	22.5	Φ1.0	7x7	100	
ER39	4	41	34	46	5.0	25.2	Φ1.0	6x6	100	150
	2	41	34	52	5.0	25.2	Φ1.0	7x7	100	
ER42	5	45	32	50	5.0	25.0	Φ1.0	7x7	100	250

1. Operating Temperature: -40°C ~ +125°C (Includes temperature when the coil is heated).

2. Output power is only for reference at flyback topology and switching frequency 100kHz.

Mechanical

Fig. 1



THT POWER TRANSFORMERS

ER Platforms – Vertical



Fig. 2

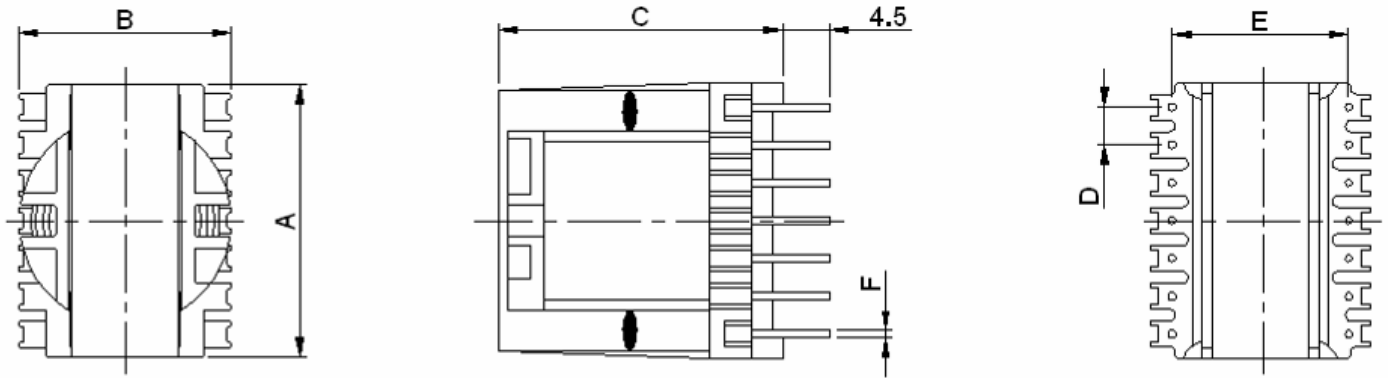


Fig. 3

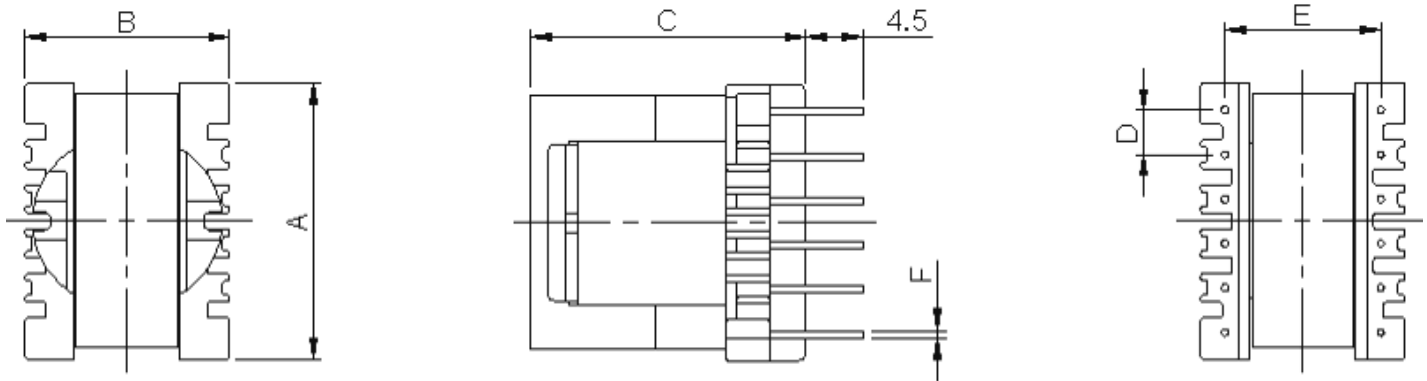
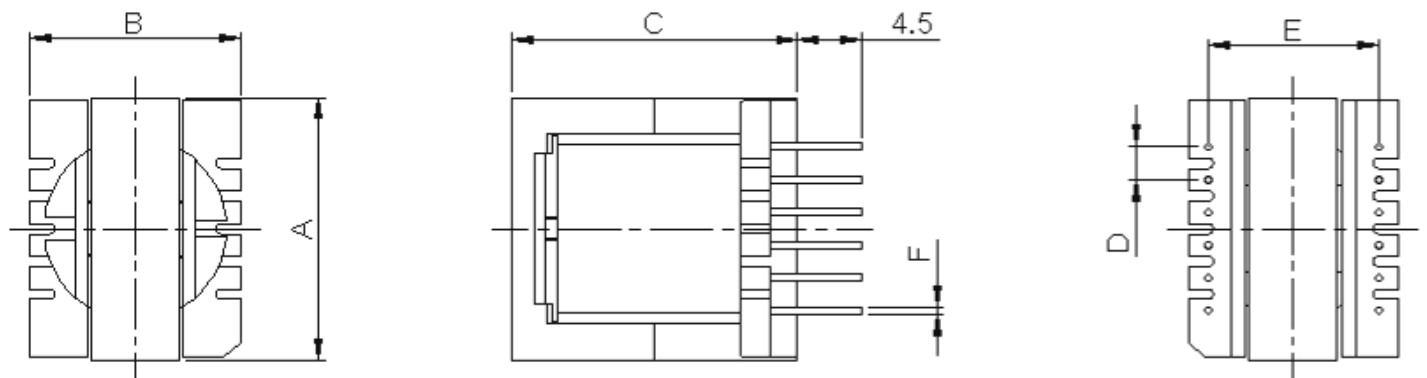


Fig. 4



THT POWER TRANSFORMERS

ER Platforms – Vertical



Fig. 5

