

LAMINATED TRANSFORMES

Toroidal Series



Features

- Operating frequency 50Hz/60Hz
- High efficiency and low loss
- Custom designs available

Applications

- Toroidal transformer for Amplifier power transformer

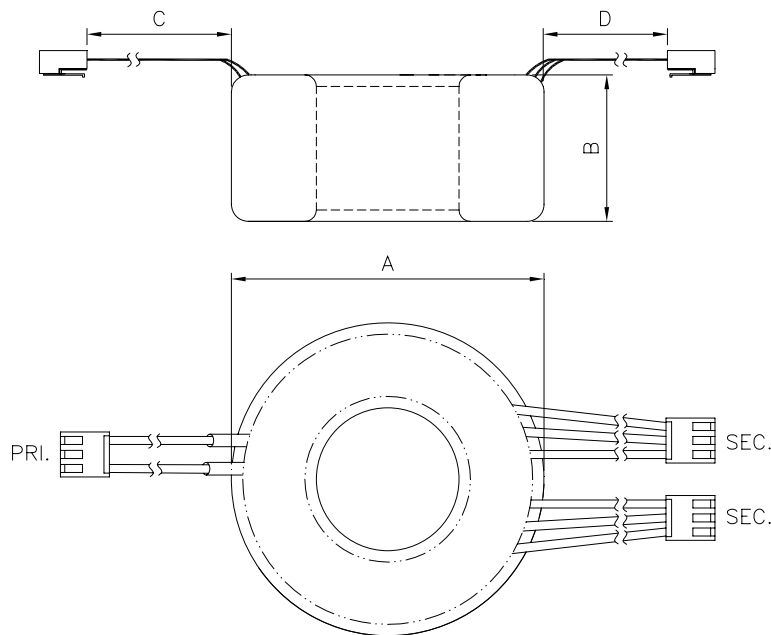


Electrical Specifications @25°C

Ordering Code	Fig.	Input Voltage (Vac)	Frequency (Hz)	Output Voltage (Vac)		Output Power(W)
2Y82BA80	1	100V	50/60Hz	40.0V*2/3A	N/A	240W
2Y93BM40	2	220V	50/60Hz	39.9V*2/4A	12.0V*2/1A	343W
2Y93BM30	2	220V	50/60Hz	39.9V*2/8A	12.0V*2/1A	662W

Mechanical

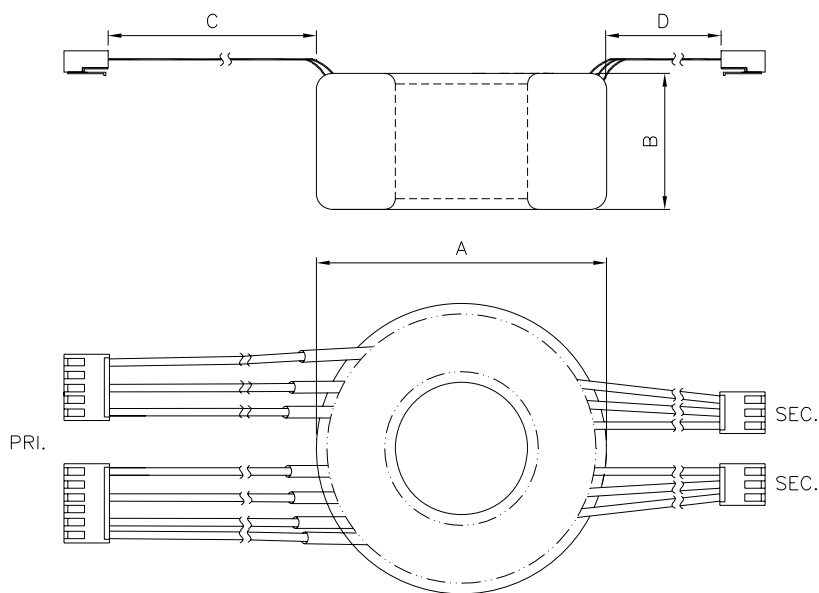
Fig. 1



LAMINATED TRANSFORMES

Toroidal Series

Fig. 2

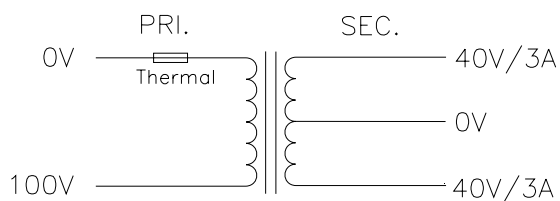


Dimension (mm)

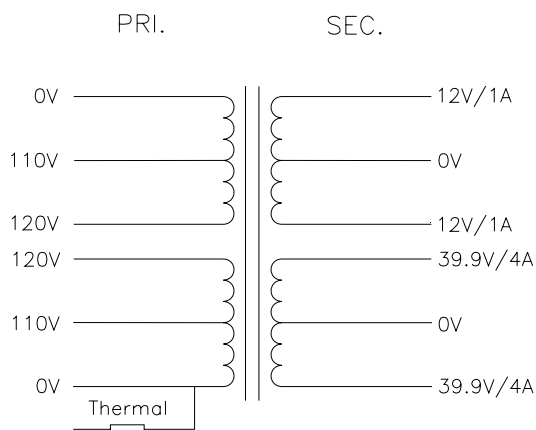
Ordering Code	Fig.	A (Max.)	B (Max.)	C (Nom.)	D (Nom.)
2Y82BA80	1	118	72	120	90
2Y93BM40	2	126	86	300	160
2Y93BM30	2	143	86	300	160

Schematic

2Y82BA80



2Y93BM40



LAMINATED TRANSFORMES

Toroidal Series



2Y93BM30

