

RFID COILS and TAGS

Toroidal Series



Features

- High sensitivity
- Protocol standard ISO 11784/11785
- Custom designs available



Application

- RFID for Movement Tracking, Smart Card, Tag, Navigation System

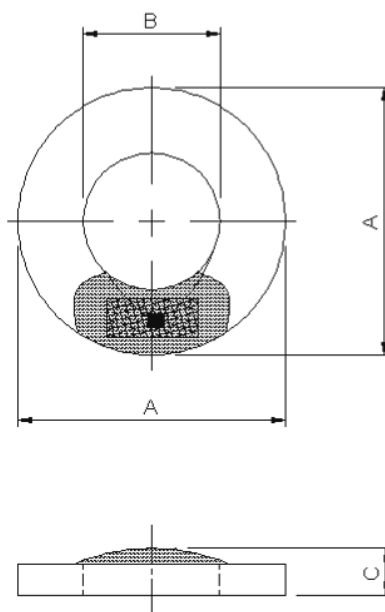
Electrical Specifications @25°C

Ordering Code	Data Memory	Frequency (kHz)	Reading Distance (cm REF.) ²	Chip type
RFID-0001	512bits	134.2	60	Read/Write
RFID-0002	512bits	134.2	65	Read/Write

1. Operating Temperature: -35°C~+85°C.

2. Reading distance is based on the Gate Reader Dependent: HiPR-603A+EdiTiD.

Mechanical (mm)



Ordering Code	A (Max.)	B (Min.)	C (Max.)
RFID-0001	16.5	8.7	3.7
RFID-0002	25.5	12.8	2.8