

THT COMMON MODE CHOKES

Toroidal Series



Features

- Inductance is up to 68mH
- 1500Vrms isolation between windings
- Wide range of inductance and current available



Application

- Common mode Chokes for DVC, DSC,OA, Adaptor,TV,DVD,Blue-ray Recorder

Electrical Specifications @25°C

Type	Fig.	Inductance @1kHz (mH Min.)	D.C.R. (Ω Max.)	I _{rated} (A) ²
TCC-0001	1	0.24	0.005	14.40
TCC-0002	1	0.55	0.006	12.00
TCC-0003	1	0.98	0.009	11.00
TCC-0004	1	1.30	0.014	9.80
TCC-0005	1	2.20	0.020	6.00
TCC-0006	1	3.30	0.030	5.00
TCC-0007	1	4.60	0.045	4.00
TCC-0008	1	6.80	0.100	2.80
TCC-0009	1	8.00	0.110	2.50
TCC-0010	1	10.00	0.140	2.10
TC16-0001	2	0.20	0.080	3.00
TC12-0001	2	0.80	0.020	6.00
TC25-0002	2	0.90	0.020	6.00
TC25-0003	2	3.50	0.050	4.00
TC20-0001	2	4.90	0.080	3.00
TC18-0001	2	6.00	0.050	4.00
TC16-0002	2	13.00	0.025	5.50
TC38-0001	2	15.00	0.070	3.50
TC25-0001	2	68.00	1.300	0.70

1. Operating Temperature: -40°C ~+120°C (Includes temperature when the coil is heated)

2. I_{rated}: DC current which causes the coil temperature rise 40°C (T_a=20°C)

THT COMMON MODE CHOKES

Toroidal Series

Mechanical

Fig. 1

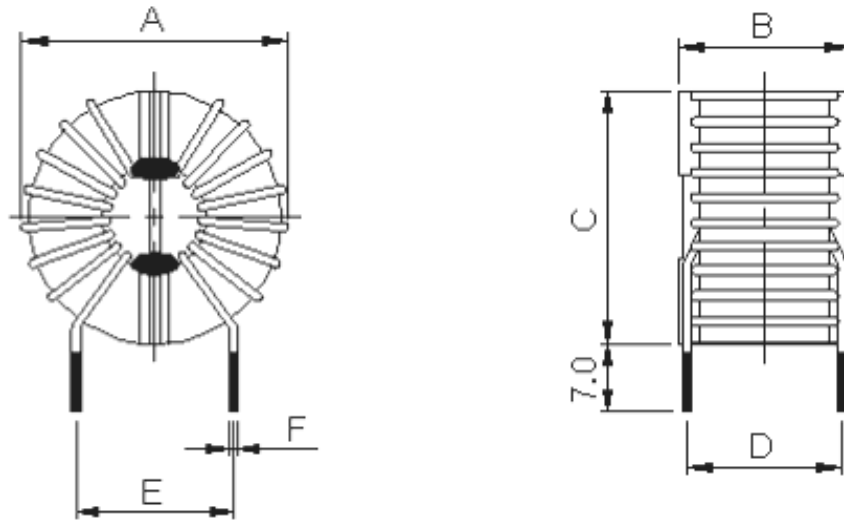
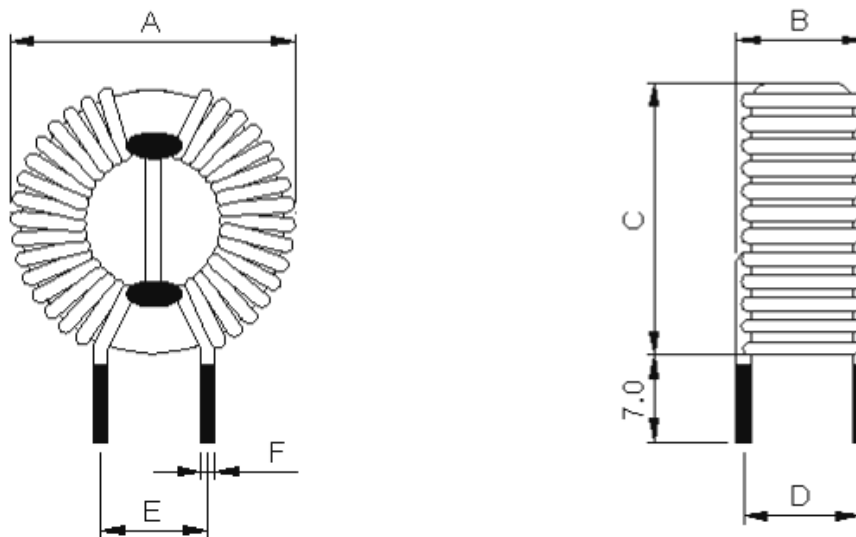


Fig. 2



THT COMMON MODE CHOKES

Toroidal Series



Dimensions (mm)

Ordering Code	Fig.	A (Max.)	B (Max.)	C (Nom.)	D (Max.)	E (Nom.)	F (Nom.)
TCC-0001	1	35	21	34	18	11	Φ1.5
TCC-0002	1	35	21	34	18	11	Φ1.5
TCC-0003	1	35	20	33	17	11	Φ1.2
TCC-0004	1	35	20	33	17	11	Φ1.1
TCC-0005	1	34	20	32	17	10	Φ1.0
TCC-0006	1	33	20	32	17	10	Φ0.9
TCC-0007	1	33	20	32	17	10	Φ0.8
TCC-0008	1	32	20	31	17	10	Φ0.6
TCC-0009	1	32	20	31	17	10	Φ0.6
TCC-0010	1	32	20	31	17	10	Φ0.5
TC16-0001	1	22	14	22	11	12	Φ1.0
TC12-0001	2	16	8	16	6	10	Φ0.6
TC25-0002	2	31	18	31	16	18	Φ1.3
TC25-0003	2	31	18	31	16	18	Φ1.0
TC20-0001	2	25	17	25	11	10	Φ0.7
TC18-0001	2	23	13	23	10	5	Φ0.7
TC16-0002	2	22	14	22	11	12	Φ0.4
TC38-0001	2	51	29	51	25	35	Φ1.1
TC25-0001	2	27	19	27	16	20	Φ0.3

Schematic

