

# THT POWER TRANSFORMERS

## EE Platforms – Vertical



### Features

- High power density and high efficiency
- Multiple-output is available
- Operating frequency up to 500kHz
- Custom designs available



### Application

- Transformer for DVC, DSC,OA, Adaptor,TV,Automotive,DVD,Blue-ray Recorder

### Specifications

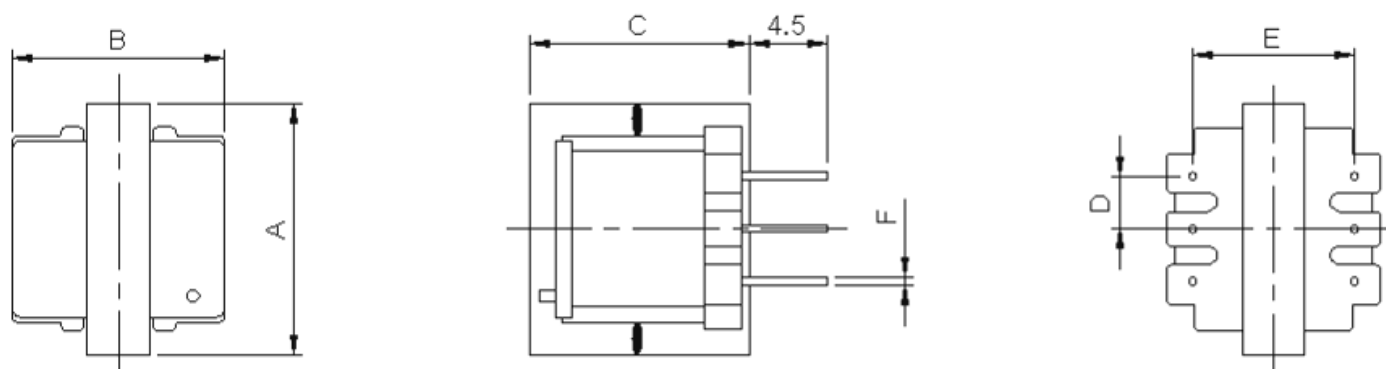
Size	Fig.	A (Max.)	B (Max.)	C (Max.)	D (Nom.)	E (Nom.)	F (Nom.)	Pins (Optional)	fsw (kHz)	Output Power (W) <sup>2</sup>
EE8.3	1	10	10	10	2.5	6.0	Φ0.5	3x3	100	3
EE10	2	12	12	13	2.5	8.0	Φ0.5	4x4	100	5
EE13	3	14	14	13	2.5	8.5	Φ0.6	5x5	100	8
EE16	3	19	15	18	3.2	10.5	Φ0.6	5x5	100	10
EE19	3	24	18	19	3.8	12.6	Φ0.7	5x5	100	15
EE25	3	30	30	24	5.0	15.2	Φ0.8	5x5	100	30
EE30	4	33	32	24	5.0	20.0	Φ0.8	6x6	100	50
EE40	4	43	30	36	5.0	22.5	Φ0.8	6x6	100	150
EE42	5	47	36	51	5.0	27.5	Φ1.0	9x9	100	200

1. Operating Temperature: -40°C~+125°C(Includes temperature when the coil is heated).

2. Output power is only for reference at flyback topology and switching frequency 100kHz.

### Mechanical

Fig. 1



# THT POWER TRANSFORMERS

## EE Platforms – Vertical



Fig. 2

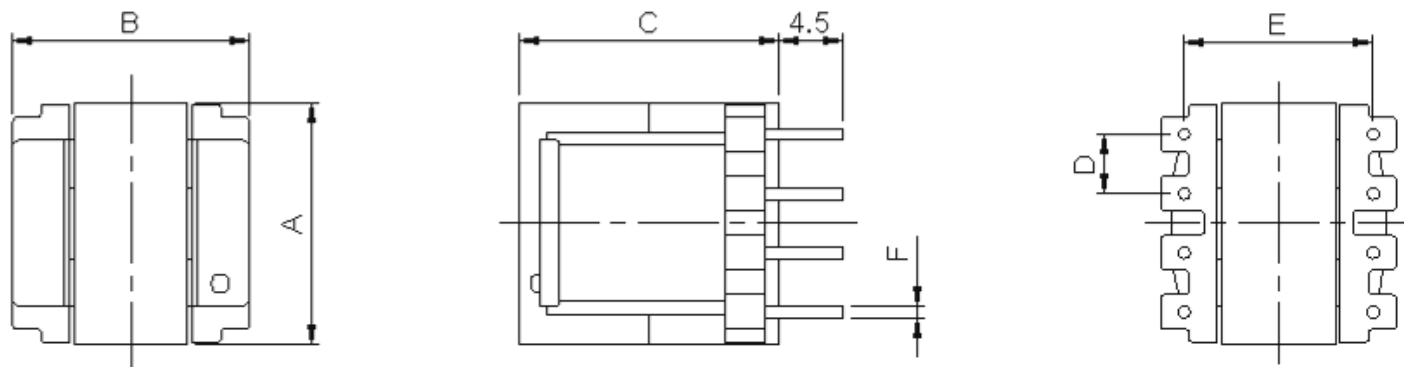


Fig. 3

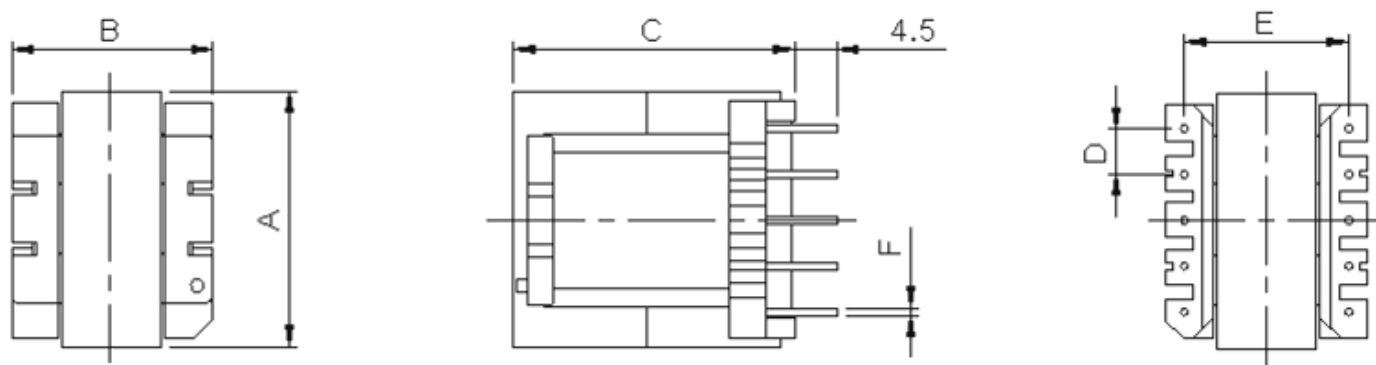
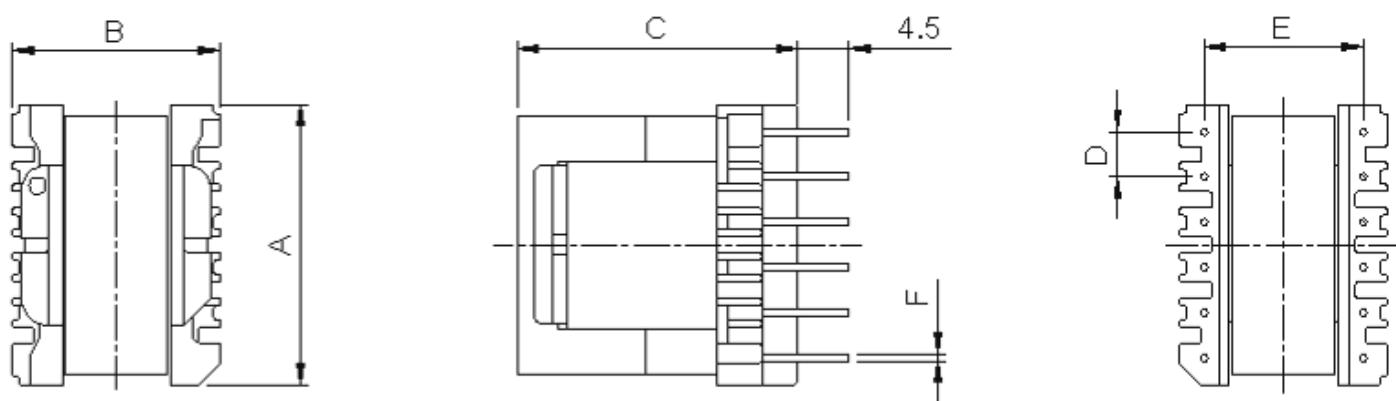


Fig. 4



# THT POWER TRANSFORMERS

## EE Platforms – Vertical



Fig. 5

