

THT POWER INDUCTORS

Toroidal Series



Features

- Low cost solution
- Good saturation current
- Frequency up to 1MHz
- Custom designs available



Application

- Inductors for DVC, DSC, PC, Printer, Display Monitor, Game Machine, TV

Electrical Specifications @25°C

Ordering Code	Fig.	Inductance @1kHz (μH Min.)	D.C.R. (Ω Max.)	Saturation Current (A) ²	Temperature Rise Current (A) ³
TV32-0001	1	35.0	0.030	8.00	5.80
TV38-0001	1	50.0	0.020	11.20	6.20
TV39-0001	1	50.0	0.010	16.00	6.70
TV30-0002	1	55.0	0.020	7.20	6.20
TV19-0002	1	60.0	0.050	1.50	4.50
TV30-0003	1	68.0	0.300	4.40	0.80
TV25-0001	1	90.0	0.030	4.80	5.80
TV15-0001	1	120.0	0.300	0.90	1.10
TV21-0001	1	120.0	0.050	0.03	4.50
TV18-0001	1	300.0	0.600	1.00	0.80
TV28-0001	1	350.0	0.080	3.20	2.40
TV28-0002	1	650.0	0.150	2.40	1.40
TV30-0001	1	730.0	0.200	6.40	1.20
TV17-0001	1	1700.0	0.200	1.00	1.20
TV19-0001	1	10000.0	0.500	1.60	1.00
TVB29-0001	2	40.0	0.020	7.20	6.10
TVB29-0003	2	55.0	0.020	7.20	6.10
TVB26-0002	2	62.0	0.120	3.80	1.60
TVB29-0002	2	70.0	0.020	4.80	6.10
TVB26-0001	2	90.0	0.030	4.80	5.70
TVB36-0001	2	100.0	0.030	6.80	5.70
TVB28-0002	2	270.0	0.080	3.70	2.20
TVB28-0004	2	380.0	0.080	3.70	2.30

Ordering Code	Fig.	Inductance @1kHz (μH Min.)	D.C.R. (Ω Max.)	Saturation Current (A) ²	Temperature Rise Current (A) ³
TVB49-0001	2	400.0	0.100	4.50	1.80
TVB28-0001	2	650.0	0.150	2.40	1.30
TVB28-0005	2	700.0	0.180	1.50	1.00
TVB28-0003	2	1000.0	0.220	1.50	0.70
TVP29-0001	3	40.0	0.020	7.20	6.10
TVP29-0003	3	55.0	0.020	7.20	6.10
TVP26-0002	3	62.0	0.120	3.80	1.60
TVP29-0002	3	70.0	0.020	4.80	6.10
TVP26-0001	3	90.0	0.030	4.80	5.70
TVP36-0001	3	100.0	0.030	6.80	5.70
TVP28-0002	3	270.0	0.080	3.70	2.20
TVP28-0004	3	380.0	0.080	3.70	2.30
TVP49-0001	3	400.0	0.100	4.50	1.80
TVP28-0001	3	650.0	0.150	2.40	1.30
TVP28-0005	3	700.0	0.180	1.50	1.00
TVP28-0003	3	1000.0	0.220	1.50	0.70
THB18-0001	4	45.0	0.040	1.50	4.90
THB40-0001	4	550.0	0.070	4.10	2.60
TH19-0001	5	20.0	0.020	8.80	6.20
TH18-0001	5	35.0	0.040	1.50	5.00
TH17-0001	5	100.0	0.100	0.90	1.90
TH40-0001	5	650.0	0.070	4.10	2.60

1. Operating Temperature: $-40^{\circ}\text{C} \sim +120^{\circ}\text{C}$ (Includes temperature when the coil is heated)
2. Saturation Current: DC current which causes the inductance to drop 30% from the nominal value
3. Temperature Rise Current: DC current which causes the coil temperature rise 40°C ($T_a=20^{\circ}\text{C}$)

Mechanical

Fig. 1

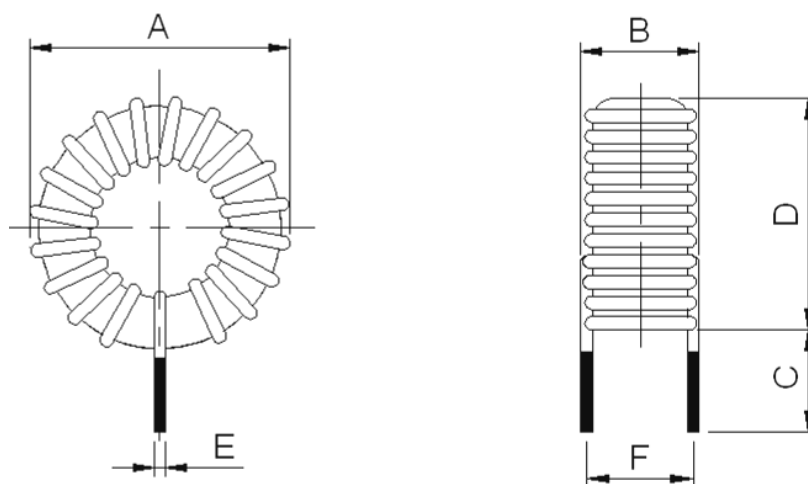


Fig. 2

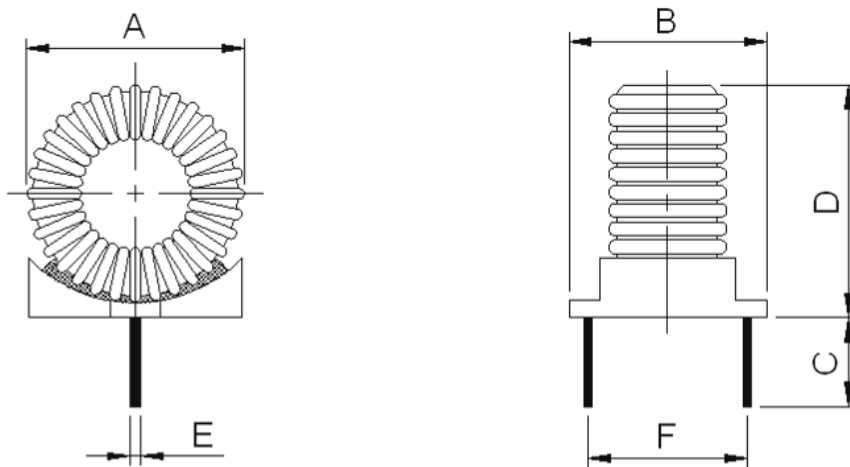


Fig. 3

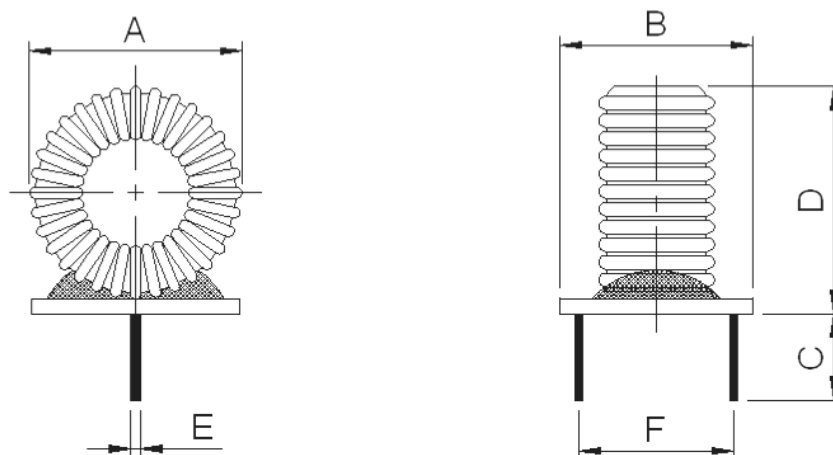


Fig. 4

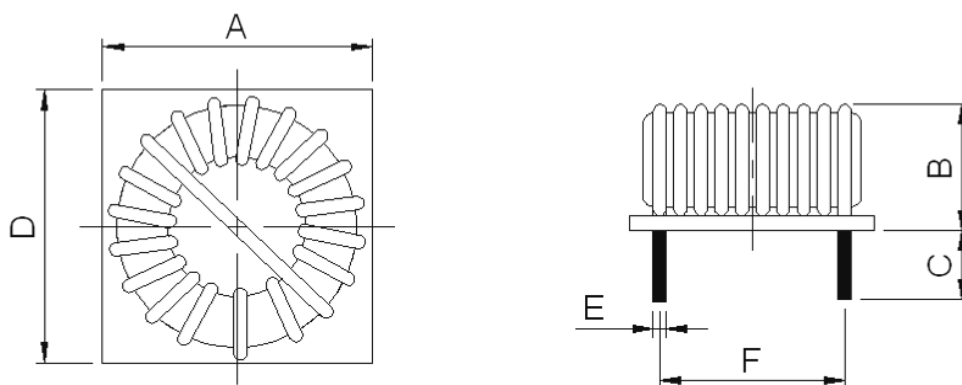
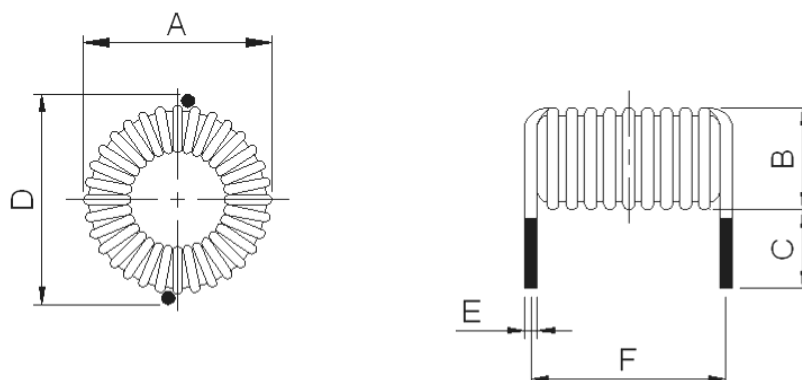


Fig. 5



Dimensions (mm)

Ordering Code	Fig.	A (Max.)	B (Max.)	C (Nom.)	D (Max.)	E (Nom.)	F (Nom.)
TV32-0001	1	36	21	5	36	2.0	19.0
TV38-0001	1	44	26	5	44	2.2	24.0
TV39-0001	1	45	39	5	45	3.6	35.0
TV30-0002	1	35	14	5	35	1.6	12.0
TV19-0002	1	23	13	5	23	1.1	8.0
TV30-0003	1	35	25	5	35	3.8	13.0
TV25-0001	1	29	22	5	29	1.3	19.0
TV15-0001	1	17	10	5	17	0.6	7.0
TV21-0001	1	25	11	5	25	0.7	9.0
TV18-0001	1	22	12	5	22	0.8	10.0
TV28-0001	1	34	18	5	34	1.1	18.0
TV28-0002	1	34	21	5	34	1.1	18.0
TV30-0001	1	35	20	5	35	0.8	17.0
TV17-0001	1	19	12	5	19	0.8	9.5
TV19-0001	1	23	12	5	23	0.6	11.0
TVB29-0001	2	36	17	5	38	1.6	15.0
TVB29-0003	2	36	17	5	39	1.6	15.0
TVB26-0002	2	29	15	5	31	1.2	13.0
TVB29-0002	2	36	20	5	39	3.2	17.0
TVB26-0001	2	29	23	5	31	1.5	20.0
TVB36-0001	2	44	30	5	47	1.5	27.0
TVB28-0002	2	35	21	5	36	1.2	18.0
TVB28-0004	2	35	23	5	39	1.3	20.0
TVB49-0001	2	54	24	5	59	1.3	21.0
TVB28-0001	2	35	22	5	37	1.2	19.0
TVB28-0005	2	35	22	5	38	1.0	19.0
TVB28-0003	2	35	21	5	38	1.0	18.0
TVP29-0001	3	36	17	5	38	1.6	15.0
TVP29-0003	3	36	17	5	39	1.6	15.0

THT POWER INDUCTORS

Toroidal Series



Ordering Code	Fig.	A (Max.)	B (Max.)	C (Nom.)	D (Max.)	E (Nom.)	F (Nom.)
TVP26-0002	3	29	15	5	31	1.2	13.0
TVP29-0002	3	36	20	5	39	3.2	17.0
TVP26-0001	3	29	23	5	31	1.5	20.0
TVP36-0001	3	44	30	5	47	1.5	27.0
TVP28-0002	3	35	21	5	36	1.2	18.0
TVP28-0004	3	35	23	5	39	1.3	20.0
TVP49-0001	3	54	24	5	59	1.3	21.0
TVP28-0001	3	35	22	5	37	1.2	19.0
TVP28-0005	3	35	22	5	38	1.0	19.0
TVP28-0003	3	35	21	5	38	1.0	18.0
THB18-0001	4	20	14	5	20	0.9	18.5
THB40-0001	4	42	30	5	42	1.6	44.0
TH19-0001	5	21	23	5	21	1.6	29.0
TH18-0001	5	20	14	5	20	0.9	18.5
TH17-0001	5	19	12	5	19	0.8	14.0
TH40-0001	5	44	29	5	44	1.6	44.0

Schematic

