

THT POWER INDUCTORS

Unshielded Drum Core Series



Features

- Low cost solution
- High inductance is up to 39mH
- Hot shrinkable tube protection available
- Custom designs available



Application

- Inductors for DVC, DSC, PC, Printer, Display Monitor, Game Machine, TV

Electrical Specifications @25°C

Ordering Code	Fig.	Inductance @1kHz (μH Min.)	D.C.R. (Ω Max.)	Saturation Current (A) ²	Temperature Rise Current (A) ³
DR4T-0001	1	12.0	0.120	1.60	1.65
DR9T-0001	1	15.0	0.070	1.70	2.40
DR7T-0002	1	100.0	0.240	0.69	1.20
DR7T-0001	1	220.0	0.730	0.70	0.69
DR12T-0001	1	390.0	0.350	0.90	1.10
DR8T-0001	1	500.0	1.250	0.25	0.52
DR16T-0001	1	520.0	0.350	1.60	1.10
DR5T-0001	1	1000.0	5.000	0.03	0.24
DR6T-0001	1	1000.0	4.000	0.30	0.27
DR10T-0001	1	1200.0	0.960	0.65	0.60
DR10T-0002	1	1200.0	2.000	0.80	0.41
DR15T-0001	1	1600.0	1.200	0.39	0.53
DR8T-0002	1	2200.0	5.600	0.25	0.22
DR6T-0002	1	39000.0	96.000	0.01	0.02
DR10T-0003	1	39000.0	29.000	0.07	0.11
DR4-0001	2	12.0	0.120	1.60	1.70
DR9-0001	2	15.0	0.070	1.70	2.45
DR7-0002	2	100.0	0.240	0.69	1.25
DR7-0001	2	220.0	0.730	0.70	0.72
DR12-0001	2	390.0	0.350	0.90	1.15
DR8-0001	2	500.0	1.250	0.25	0.55
DR16-0001	2	520.0	0.350	1.60	1.15
DR5-0001	2	1000.0	5.000	0.03	0.28
DR6-0001	2	1000.0	4.000	0.30	0.30
DR10-0001	2	1200.0	0.960	0.65	0.65
DR10-0002	2	1200.0	2.000	0.80	0.45
DR15-0001	2	1600.0	1.200	0.39	0.58
DR8-0002	2	2200.0	5.600	0.25	0.25
DR6-0002	2	39000.0	96.000	0.01	0.03
DR10-0003	2	39000.0	29.000	0.07	0.15

1. Operating Temperature: $-40^{\circ}\text{C} \sim +120^{\circ}\text{C}$ (Includes temperature when the coil is heated)

2. Saturation Current: DC current which causes the inductance to drop 30% from the nominal value

3. Temperature Rise Current: DC current which causes the coil temperature rise 40°C ($T_a=20^{\circ}\text{C}$)

Mechanical

Fig. 1

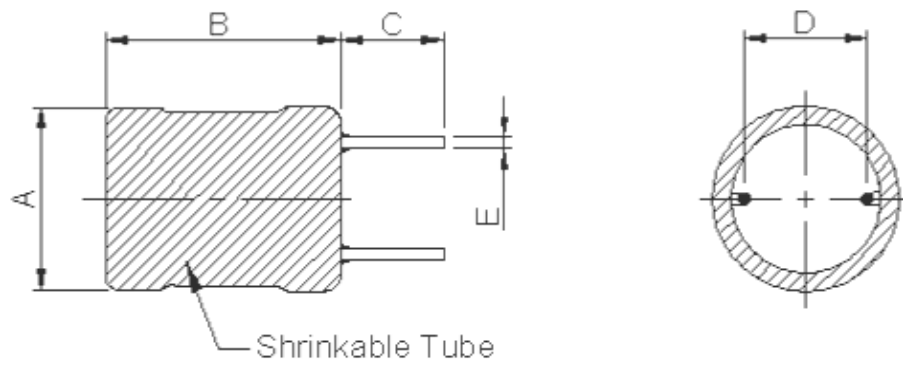
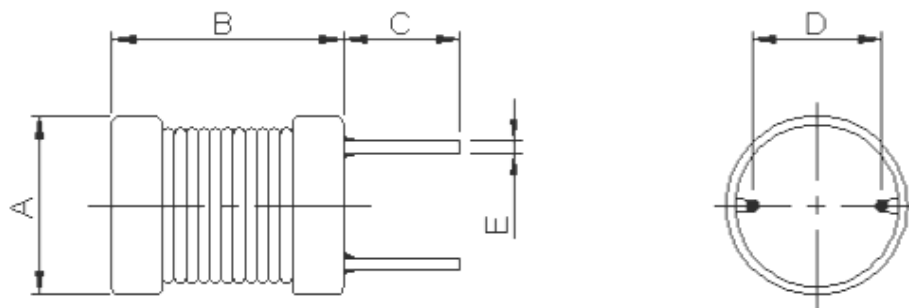


Fig. 2



THT POWER INDUCTORS

Unshielded Drum Core Series



Dimensions (mm)

Ordering Code	Fig.	A (Max.)	B (Max.)	C (Nom.)	D (Max.)	E (Nom.)
DR4T-0001	1	6.0	8.5	5.0	2.0	0.5
DR9T-0001	1	11.0	14.5	5.0	5.0	0.8
DR7T-0002	1	9.0	11.5	5.0	5.0	0.6
DR7T-0001	1	9.0	9.5	5.0	5.0	0.6
DR12T-0001	1	14.0	17.5	5.0	7.5	0.8
DR8T-0001	1	10.0	10.5	5.0	5.0	0.6
DR16T-0001	1	18.0	20.5	5.0	9.5	0.8
DR5T-0001	1	7.0	9.5	5.0	2.5	0.6
DR6T-0001	1	8.0	10.5	5.0	3.0	0.6
DR10T-0001	1	12.0	14.5	5.0	5.0	0.8
DR10T-0002	1	12.0	17.5	5.0	7.0	0.8
DR15T-0001	1	17.0	20.5	5.0	10.0	0.8
DR8T-0002	1	10.0	12.5	5.0	5.0	0.6
DR6T-0002	1	8.0	12.5	5.0	3.0	0.6
DR10T-0003	1	12.0	18.5	5.0	7.0	0.8
DR4-0001	2	5.0	7.0	5.0	2.0	0.5
DR9-0001	2	10.0	13.0	5.0	5.0	0.8
DR7-0002	2	8.0	10.0	5.0	5.0	0.6
DR7-0001	2	8.0	8.0	5.0	5.0	0.6
DR12-0001	2	13.0	16.0	5.0	7.5	0.8
DR8-0001	2	9.0	9.0	5.0	5.0	0.6
DR16-0001	2	17.0	19.0	5.0	9.5	0.8
DR10-0001	2	11.0	13.0	5.0	5.0	0.8
DR10-0002	2	11.0	16.0	5.0	7.0	0.8
DR15-0001	2	16.0	19.0	5.0	10.0	0.8
DR8-0002	2	9.0	11.0	5.0	5.0	0.6
DR6-0002	2	7.0	11.0	5.0	3.0	0.6
DR10-0003	2	11.0	17.0	5.0	7.0	0.8

Schematic

