

Features

- High sensitivity
- Low cost
- Easy assembly
- Terminal or plug is available
- Custom designs available



Application

- FM/AM Antennas for Hi-Fi stereo system, Mini sound system

Electrical Specifications @25°C

Ordering Code	Fig.	Inductance @1kHz ($\mu\text{H}\pm 10\%$)	D.C.R. (Ω Max.)	Q @1MHz (Min.)
LAA-001	1	18.10	0.750	40
LAA-002	1	18.80	1.000	30
LAA-003	1	19.20	1.200	30
LAC-001	2	18.10	0.750	40
LAC-002	2	18.80	1.000	30
LAC-003	2	19.20	1.200	30

1. Operating Temperature: $-10^{\circ}\text{C}\sim+60^{\circ}\text{C}$

Mechanical

Fig. 1

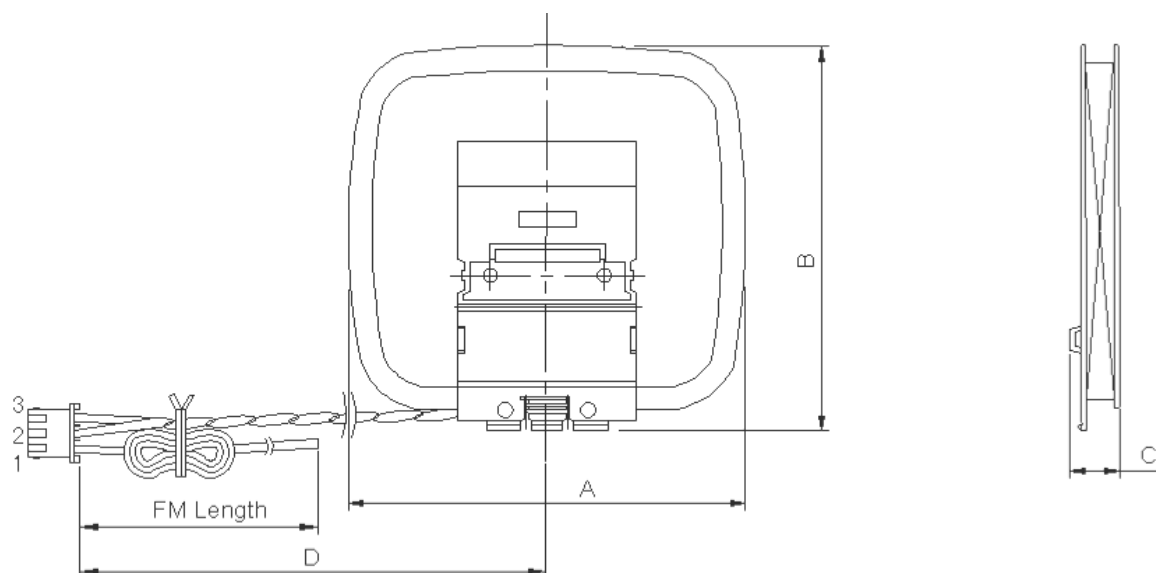
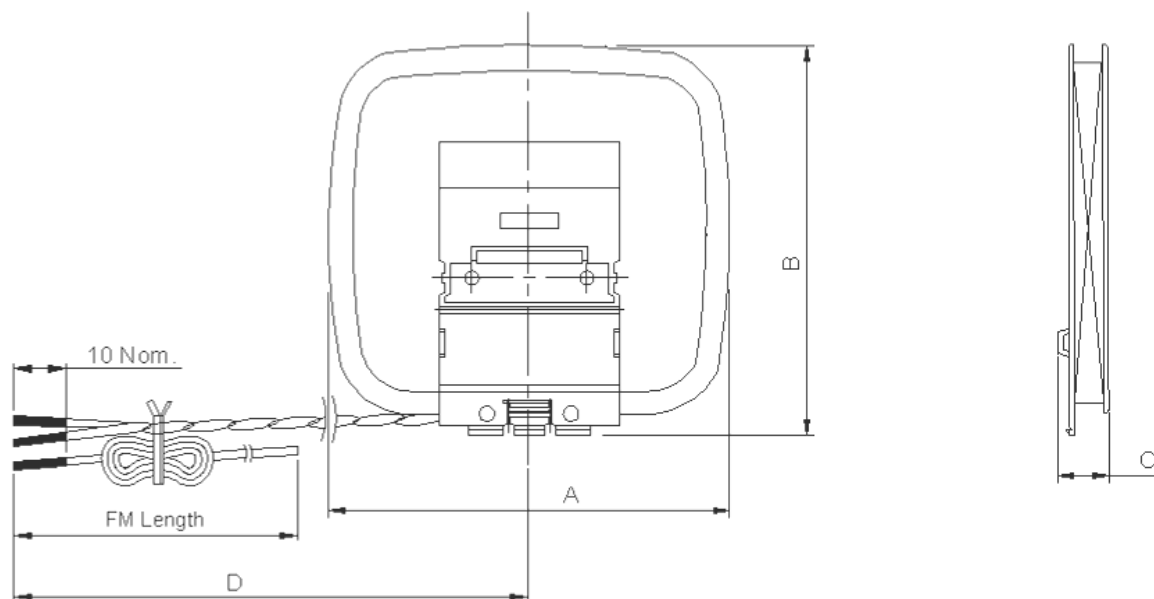


Fig. 2



Dimensions (mm)

Ordering Code	Fig.	A (Max.)	B (Max.)	C (Max.)	D (Nom.)	FM Length (Nom.)	Terminal or plug
LAA-001	1	135	124	19	800	2000	Housing: Molex 5264-03 Terminal: Molex 5263-PBT Or equivalents
LAA-002	1	135	124	19	1600	1500	
LAA-003	1	135	124	19	2000	1500	
LAC-001	2	135	124	19	800	2000	N/A
LAC-002	2	135	124	19	1600	1500	
LAC-003	2	135	124	19	2000	1500	